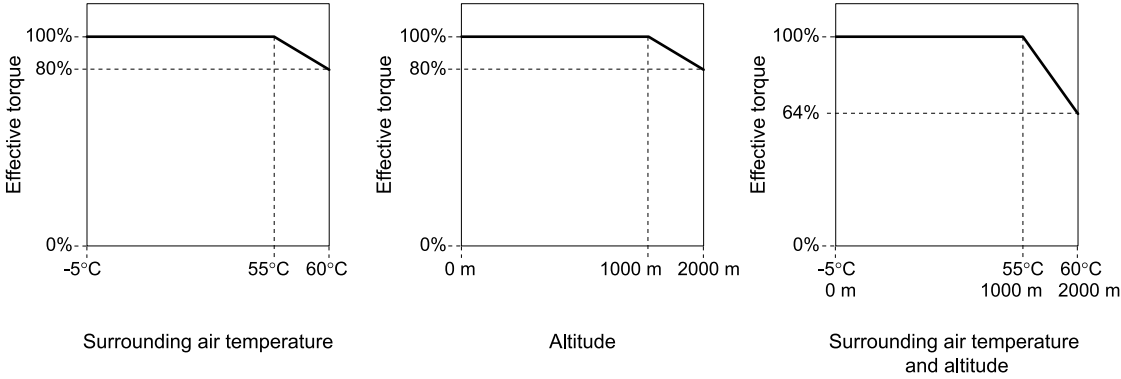


Derating Specifications

If you use the SERVOPACK at a surrounding air temperature of 55°C to 60°C or at an altitude of 1000 m to 2000 m, you must apply the derating rates given in the following graphs.

■ SGDXW-1R6A, -2R8A, -5R5A, -7R6A

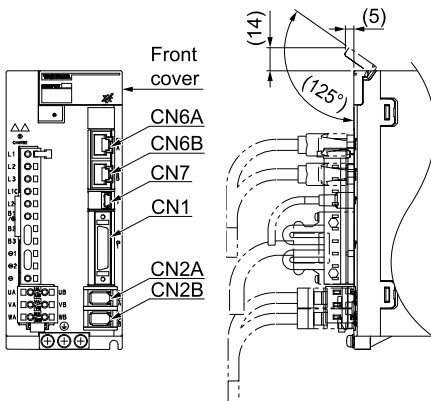


External Dimensions

Front Cover Dimensions and Connector Specifications

The connector shapes and pin assignments depend on the interfaces of the SERVOPACK. Refer to the following figures and table.

■ Front Cover Dimensions



■ Connector Specifications

Connector No.	Model	Number of Pins	Manufacturer
CN1	10236-59A3MB	36	3M Japan Limited
CN2A, CN2B	53460-0669	6	Molex Japan Co., Ltd.
CN6A, CN6B	3-1734579-4	8	Tyco Electronics Japan G.K.
CN7	2342993-1	5	Tyco Electronics Japan G.K.

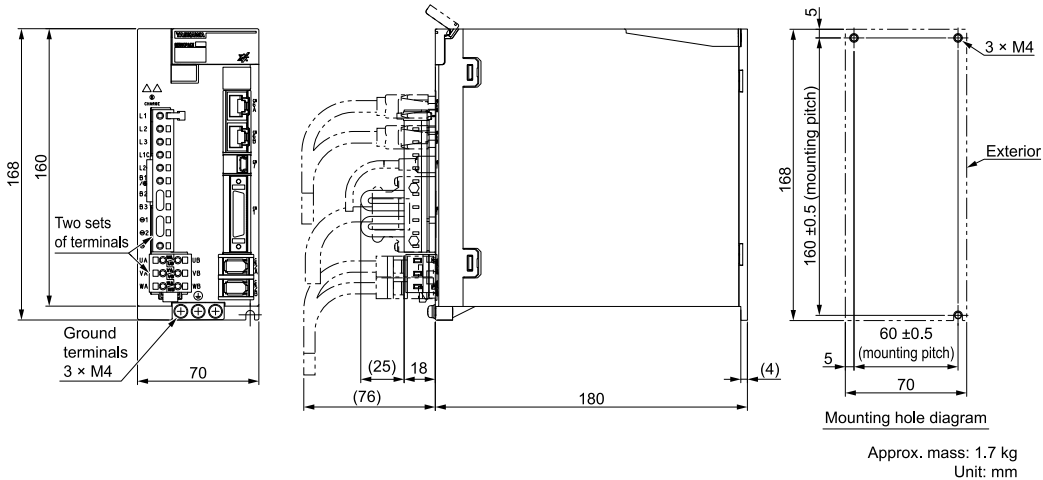
Note:

The above connectors or their equivalents are used for the SERVOPACKs.

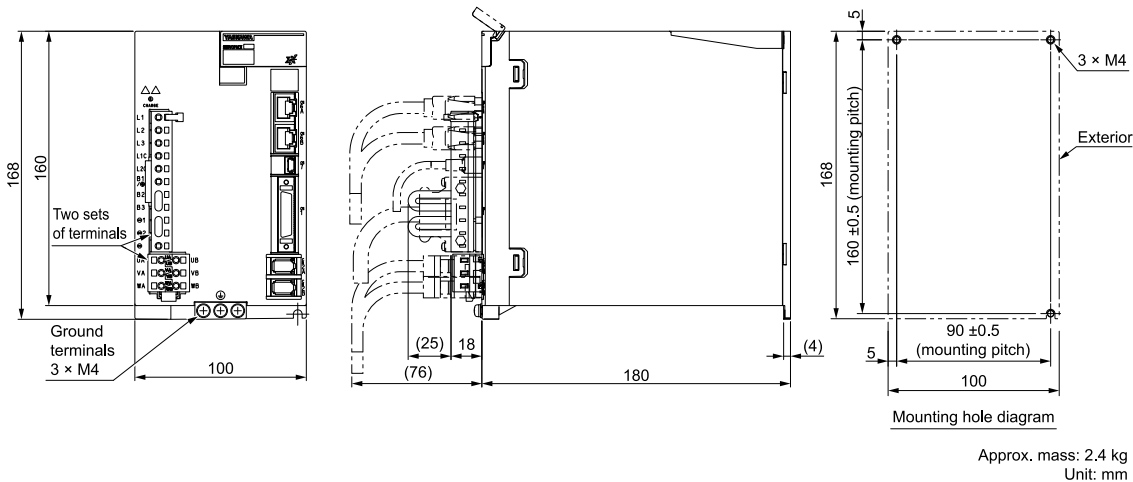
SERVOPACK External Dimensions

■ Base-mounted SERVOPACKs

◆ SGD-XW-1R6A, -2R8A



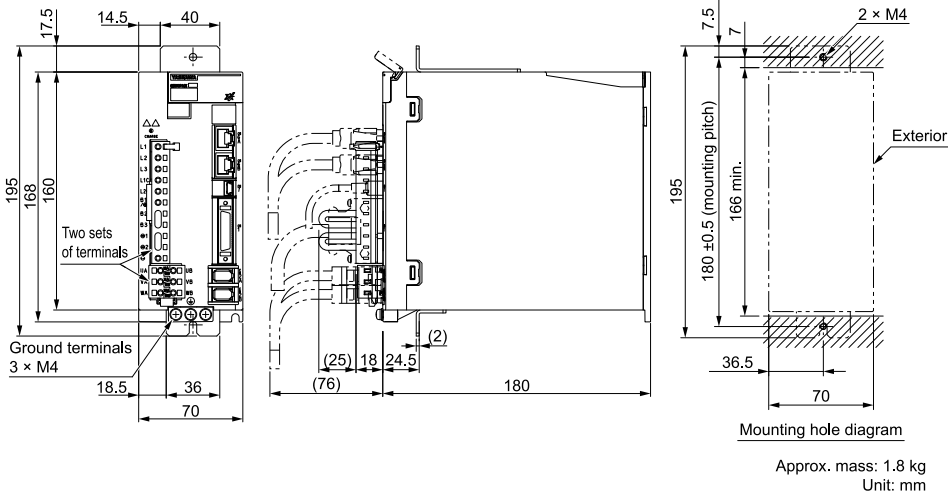
◆ SGD-XW-5R5A, -7R6A



■ Rack-mounted SERVOPACKs

Hardware Option Code: 0001

◆ SGDXW-1R6A, -2R8A



◆ SGDXW-5R5A, -7R6A

